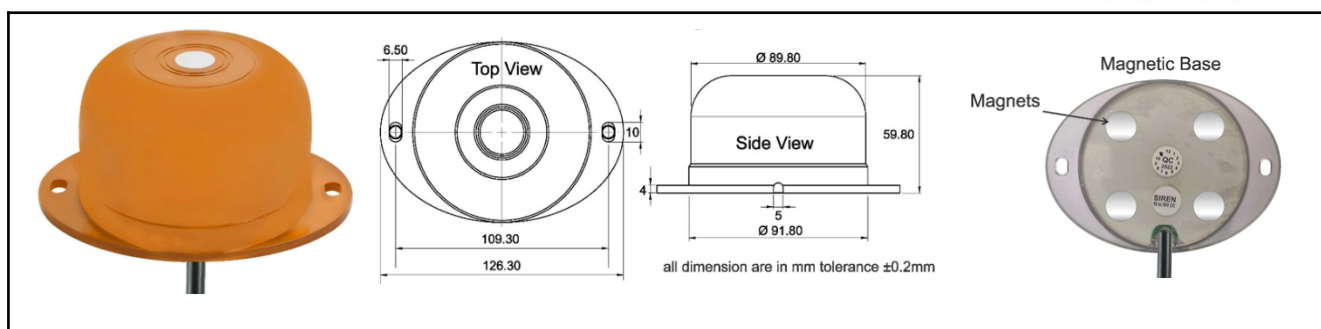


LED Based Revolving Magnetic Beacon Light without any moving parts.



**AUTOMATION
CONTROLS**

An ISO 9001 : 2015 Company



GENERIC		
1	Rotation of Beacon Light	360 degree with High Intensity Amber Colour Roof Top, Magnetic, Round Rotating Beacon Light for Emergency Security Patrol Utility
2	Revolving	No mechanical moving part in this.
3	Nos of LEDs	120 Numbers
4	Number of LED modules in Lamp	8 Module (15 LED in each module)
5	Color of LED Light	Amber
6	LED Light Wattage maximum	15W
7	Lamp Lumens	3000 lumens
8	Shape	Circular
9	Operation Modes	ON / OFF
CONSTRUCTION		
10	Diameter (in mm) ±5%	126
11	Height (in mm) ±5%	60
12	Weight - Maximum (in kg)	0.4 (400gm)
13	Encloser	Polycarbonate
14	Mounting Type	Magnet Mount
15	Mounting Location	On vehicle roof above driver's cabin
16	12 V Cigarette Lighter Plug with 4-meter coiled cable	Yes
PERFORMANCE		
17	Operating Voltage	24 VDC / 12 VDC
18	Beacon Light Ingress Protection	IP68
19	Reverse Polarity protection	Yes
20	Over voltage protection range	Yes
21	Light Life Span	50000 Hrs
CERTIFICATIONS		
22	Impact Test	IK10
23	Ingress Protection Test	IP68
24	Make	Automation Controls
25	Model	ACRL30A
26	Part No.	1524030000



Manufacturer of Safety Equipments as per D.G.M.S. Circulars
 K 10/2, MIDC Hingna, Dist.- Nagpur - 440 016. Phone : +91 7104 - 237200
 E-mail : info@automationcontrol.in, automat.ngp@gmail.com
 Web : www.automationcontrol.in EM II No.: 270091101109 (MSME)